

# FERVOR 180 LED driving light with parking light



## TECHNICAL DATA / FEATURES

- dimensions:  $\phi 180 \times 69$
- light function: driving, parking
- lamp function markings: HR, A
- maximum power: 27W, 3W
- nominal voltage: 12V-24V DC
- permissible power supply voltage: 10,5V-30V DC
- reference mark: 25
- source of light: 6 x LED
- IP rating: IP67, IP69K
- work temperature:  $-40^{\circ}\text{C} - +80^{\circ}\text{C}$
- housing's material: aluminium
- lens' material: glass
- built-in connectors: -
- other: protection:
  - against overheating
  - against reverse polarisation
- screws made of Inox steel



## ADDITIONAL INFORMATION

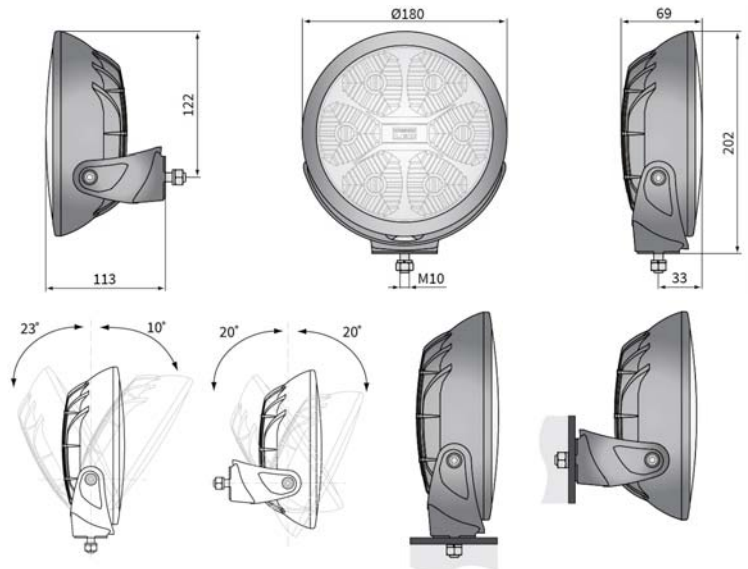
Stylish and robust lamps dedicated for trucks.  
LED technology used in driving and position light guarantees the highest efficiency.

The lamps comply with EMC Directive 2004/108/EC. They do not emit electromagnetic interference as well as they are resistant to it's influence.  
Correct polarity required.

Mounting: as a freestanding or on vertical body work panels.  
It is possible to install needed connectors on wire (on request).

Equivalents for Hella:  
LUM2.51200 - 1F3 011 815-001

## DIMENSIONS



Cat. number	Homologation code	Light function	Reference mark	IP rating	Accessories	Connectors	AMP Faston 250	Deutsch DT	AMP SuperSeal 1,5	Cap / Pin
<b>LUM2.51200</b>	086	driving parking	50 25	IP67 IP69K	LED module 12V-24V cable 0,5 m					

