



## TECHNICAL DATA / FEATURES

- dimensions: 156x92x80
- source of light: H3
- maximum power: 70W
- nominal voltage: 12V-24V DC
- optics: standard
- light distribution angle: 46° x 15°
- IP rating: IP66
- housing's material: plastic
- housing's colour: black
- lens' material: glass
- built-in connectors: -
- other (optional): handle  
PC lens  
switch



## ADDITIONAL INFORMATION

Work lamps are used to illuminate working space near vehicles, tractors, slow-moving machines and any other places where indicated voltage is available.

Mounting: as a freestanding on body panels. They can be installed in any position (standing, hanging, on side).

Fixing system allows to change position of bracket (lower, upper, left, right).

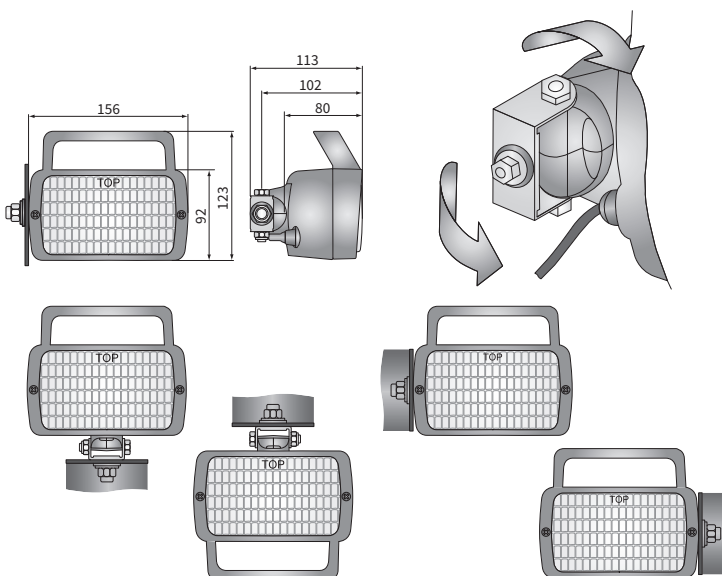
Do not use over 55W bulbs if the lamp is equipped with polycarbonate lens.

It is possible to install needed connectors on wire (on request).

Equivalents for Hella:

LPR4.25975 - 1GA 006 875-001

## DIMENSIONS



Cat. number	Type											
	H3	Lens material		Accessories		bulb H3 12V	bulb H3 24V	handle	switch	cable 0,15 m	Bracket	Connectors
LPR4.25975	✓	glass	plastic								✓	AMP Faston 250
LPR4.26075	✓	glass	plastic					✓	✓	✓	✓	Deutsch DT
												AMP SuperSeal 1,5

