

SUPER BRIGHT PREMIUM / SUPER BRIGHT

Extra power for off-road use



Extra power

For rescue services, construction and transport work, agriculture and forestry



Excellent brightness

Even on the most difficult terrain



Rugged and versatile

Solution for even the most unusual requirements



The high-wattage off-road light with extra power

SUPER BRIGHT PREMIUM and SUPER BRIGHT are high-wattage off-road lamps with extra power. Those rugged and versatile lamps proved excellent brightness even on the most difficult terrain: rescue services, construction and transport work, agriculture and forestry. These products are not ECE-approved and must not be used on public roads in any exterior application. Use on public roads will invalidate both the operating license and insurance coverage. Some countries prohibit the sale and use of these products. Please contact your local distributor for information on your country.

Product datasheet

Technical data

Product information

Order reference	62201SBP
Product type (off-road vs. on-road)	Off-road \pm H3
Application (Category and Product specific)	Halogen headlight lamp

Electrical data

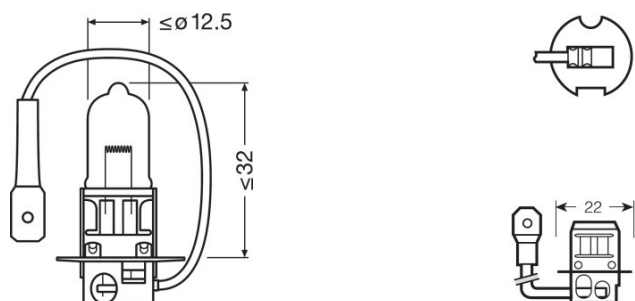
Power input	85 W ¹⁾
Nominal voltage	12.0 V
Nominal wattage	100.00 W
Test voltage	13.2 V

¹⁾ Maximum

Photometrical data

Luminous flux	2300 lm
Luminous flux tolerance	\pm 10 %
Color temperature	3200 K

Dimensions & weight



Diameter	12.0 mm
Product weight	8.00 g
Length	42.0 mm

Lifespan

Lifespan B3	23 h
Lifespan Tc	50 h

Additional product data

Product datasheet

Base (standard designation)	PK22s
-----------------------------	-------

Capabilities

Technology	HAL
------------	-----

Certificates & standards

ECE category	
--------------	--

Country specific categorizations


Order reference	62201SBP
-----------------	----------

Logistical Data

Product code	Product description	Packaging unit (Pieces/Unit)	Dimensions (length x width x height)	Volume	Gross weight
4052899126312	SUPER BRIGHT PREMIUM / SUPER BRIGHT \triangleq H3	Folding carton box 1	25 mm x 23 mm x 70 mm	0.04 dm ³	8.55 g
4052899126329	SUPER BRIGHT PREMIUM / SUPER BRIGHT \triangleq H3	Bundle 10	- x - x -		
4052899126336	SUPER BRIGHT PREMIUM / SUPER BRIGHT \triangleq H3	Shipping carton box 100	122 mm x 109 mm x 361 mm	4.80 dm ³	1105.00 g

The mentioned product code describes the smallest quantity unit which can be ordered. One shipping unit can contain one or more single products. When placing an order, for the quantity please enter single or multiples of a shipping unit.

Download Data

File
 360 Degree Image SUPER BRIGHT PREMIUM H3 62201SBP

Legal advice

These products do not have ECE approval and must not be used on public roads in any exterior application. Public roads use leads to cancellation of operating license and loss of insurance coverage. Several countries forbid sale and use of these products. Please contact your local distributor for further information.

Application advice

For more detailed application information and graphics please see product datasheet.

Disclaimer

Product datasheet

Subject to change without notice. Errors and omission excepted. Always make sure to use the most recent release.



OSRAM