



**TECHNICAL DATA / FEATURES**

- dimensions: φ139/123x88
- light functions: passing, driving, parking
- function markings: M, A
- traffic: right-hand, left-hand
- reference mark: -
- source of light: R2, T4W
- maximum power: 55/50W, 4W
- nominal voltage: 12V-24V DC
- optics: standard
- IP rating: IP54
- housing's material: metal
- lens' material: glass
- built-in connectors: -



**ADDITIONAL INFORMATION**

Particularly recommended for tractors and slow-moving vehicles.

To be mounted in factory designed locations or in the front bumper recesses.

Useful parts while installing:

- main bulb gasket - cat. No. A.05820
- parking light bulb holder - cat. No. A.05921
- main bulb mounting block - cat. No. A.07128

Equivalents for Cobo:

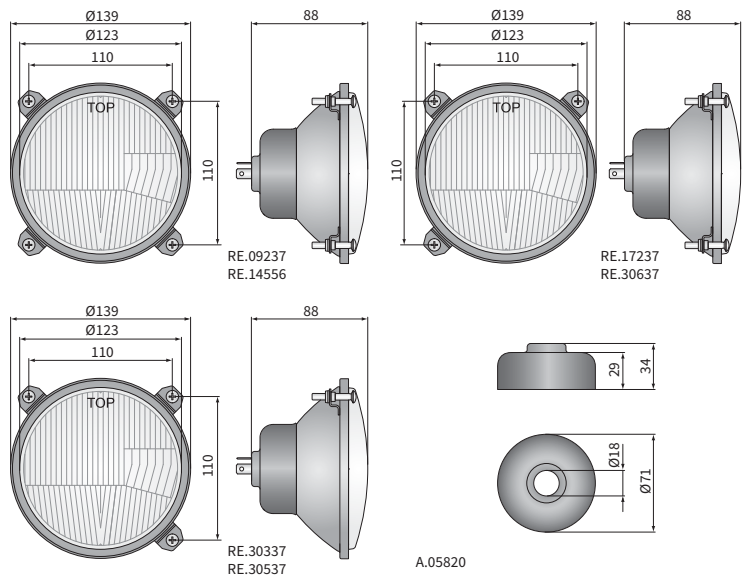
B - 05.428.000, C - 05.430.000

Dedicated application:

A - tractors:

- Massey Ferguson serie: 100, 200, 300
- Ursus: 2812, 3512, 3502, 4514, 5314, 1224, 1614, 1234, 1634, 1934, 1954
- Landini serie: 30, 50, 60, 70, 80, 10000, 13000
- Zetor: 10011/10045, 10111/10145, 10211/10245, 11211/11245, 12111/12145, 12211/12245, 14145, 14245, 16045, 16145, 16245, 8111/8145, 8211/8245, 9111/9145, 9211/9245

**DIMENSIONS**



Cat. number	Homologation code	Light functions			Traffic	Accessories	Side	Equivalents	Cobo	Application
		passing	driving	parking						
<b>RE.09237</b>	092	✓	✓	✓	right-hand	bulb R2 12V	✓	B	A	
RE.14556	092	✓	✓	✓	left-hand	bulb R2 24V	✓	B	A	
RE.14566	092	✓	✓	✓		bulb T4W	✓		A	
RE.17237	092	✓	✓	✓		bulb gasket	✓		A	
RE.30337	092	✓	✓	✓		connector block	✓		A	
RE.16837	168	✓	✓	✓			✓	C	A	
RE.16838	168	✓	✓	✓			✓		A	
<b>RE.30637</b>	168	✓	✓	✓			✓		A	
<b>RE.30537</b>	168	✓	✓	✓			✓		A	

