



## TECHNICAL DATA / FEATURES

- dimensions: 172x142x65
- light function: passing, driving, parking
- lamp function markings: C/R, A, HC/R
- traffic: right-hand
- reference mark: 12,5, 17,5
- source of light: R2, T4W, H4
- maximum power: 55W, 4W, 75W
- nominal voltage: 12V-24V DC
- optics: standard
- IP rating: IP54
- housing's material: metal
- lens' material: glass
- built-in connectors: -



## ADDITIONAL INFORMATION

Particularly recommended for tractors and slow-moving vehicles.

To be mounted in factory designed locations or in the front bumper recesses.

Useful parts while installing:

- main bulb gasket - cat. No. A.05820
- parking light bulb holder - cat. No. A.05921
- main bulb mounting block - cat. No. A.07128

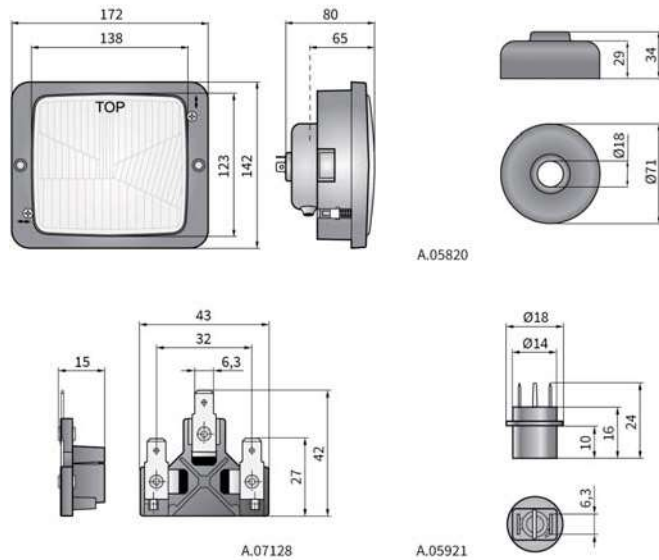
Dedicated application:

A - tractors:

- Case IH: 433, 743, 745, 844
- Fendt, Fendt Farmer, Fendt Favorit
- Mercedes-Benz: 440-443
- Zetor: 4340, 5320, 6320, 7340 (until 1999)

A - slow-moving vehicle Atlas 1404

## DIMENSIONS



Cat. number	Hella Catal. No.	Homologation code	Light function			Type	Reference mark		Accessories	Application			Packaging / pc						
			passing	driving	parking		R2	H4		bulb R2 12V	bulb R2 24V	bulb H4 12V	bulb H4 24V	bulb T4W	frame	mounting plate	adjustments	bulb gasket	universal
RE.22788	1AA004109001	012	✓	✓		✓		✓					✓		✓				1
RE.22778	1AA004109031	012	✓	✓	✓	✓		✓					✓		✓				1
RE.22889	1AA004109021	009	✓	✓			✓						✓		✓				1
RE.22879		009	✓	✓	✓		✓	✓					✓		✓				1