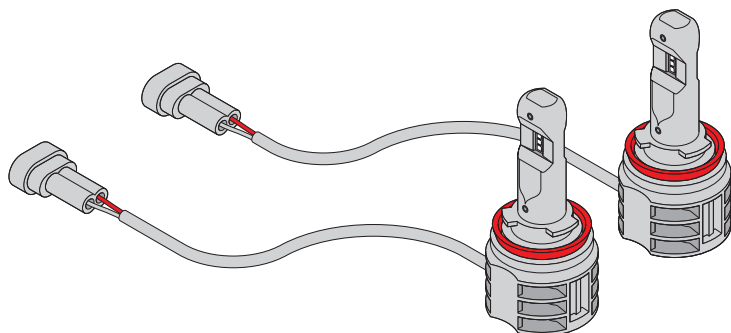


# LEDDriving® HL

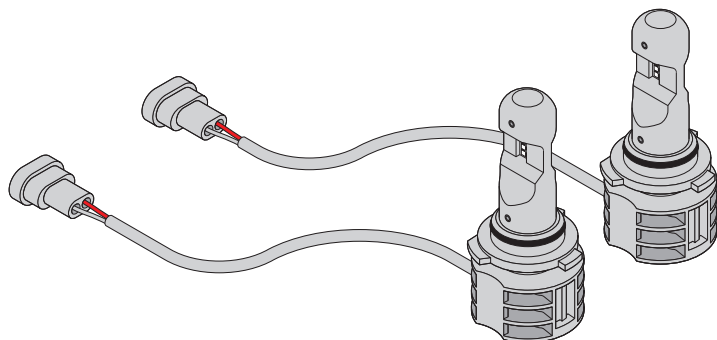
LED high and low beam

12V/24V 67211CW

12V/24V 9736CW



67211CW  
≅H11



9736CW  
≅HB4

Installation video: <sup>1)</sup>

67211CW

9736CW

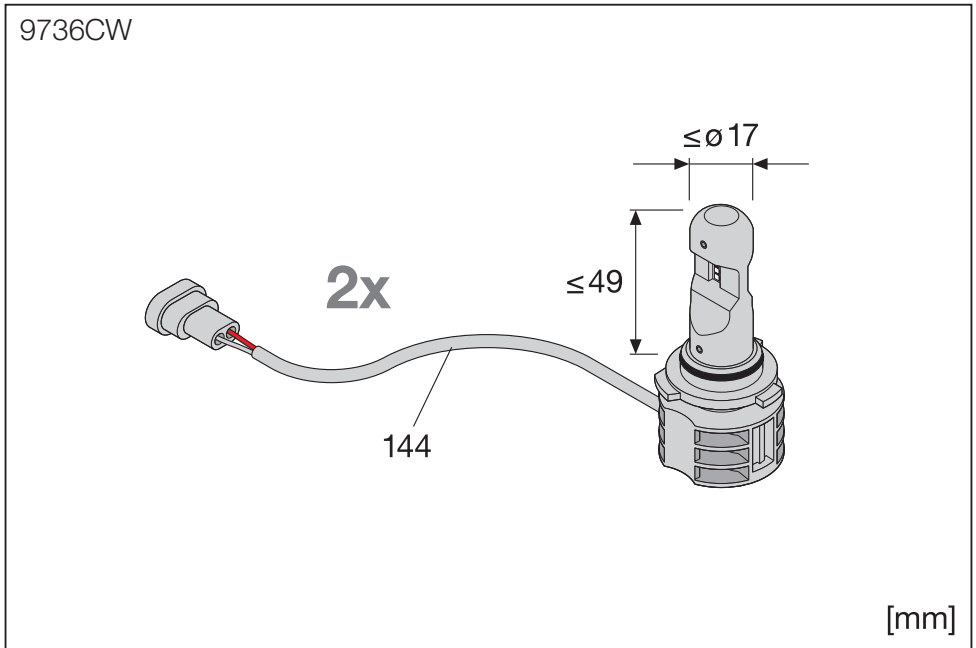
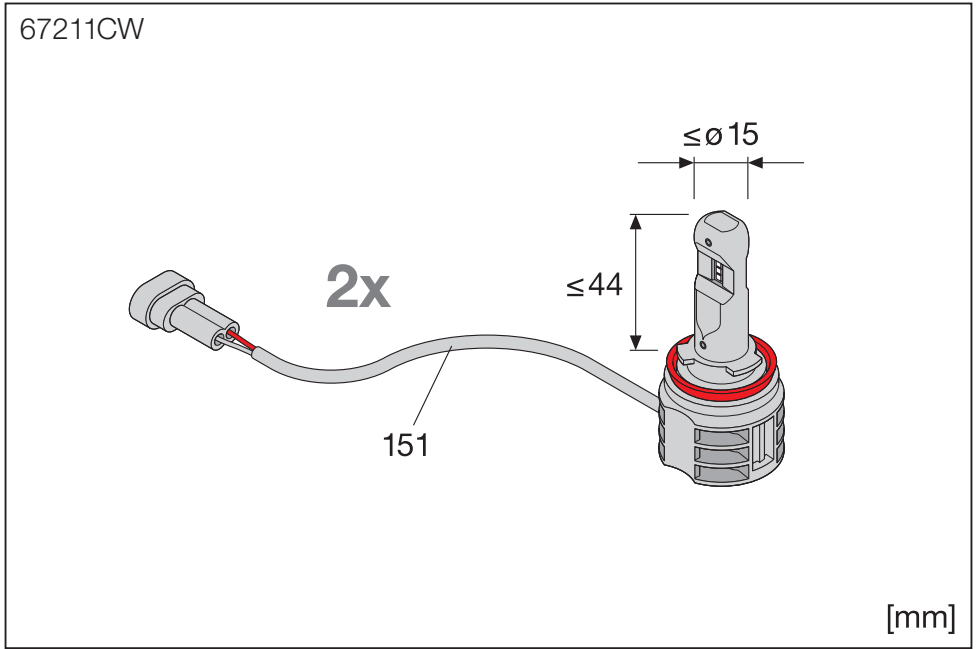


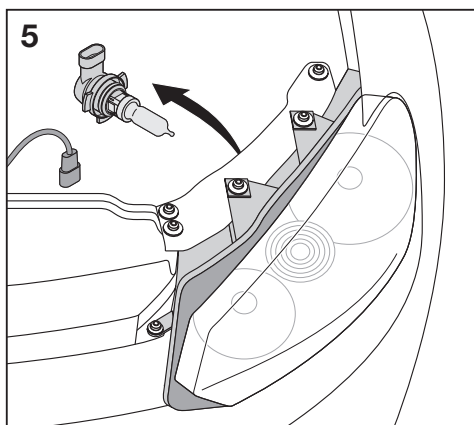
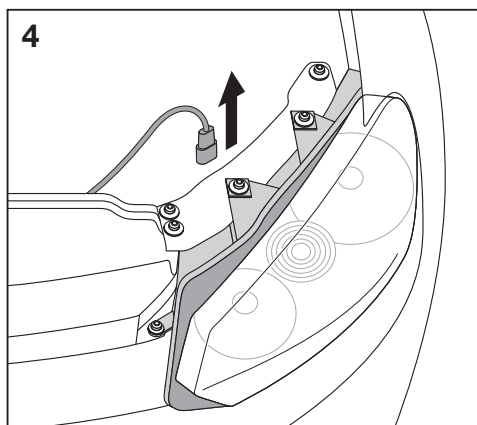
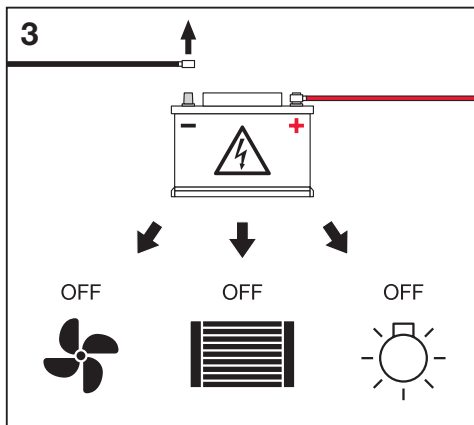
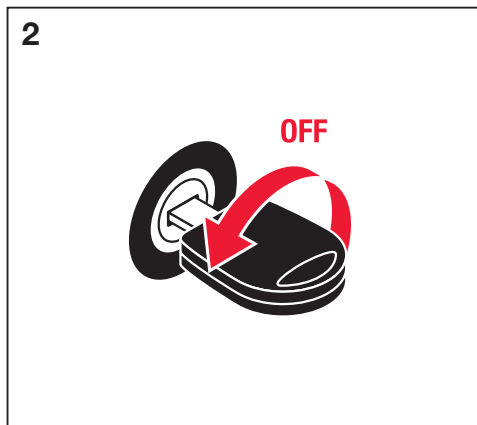
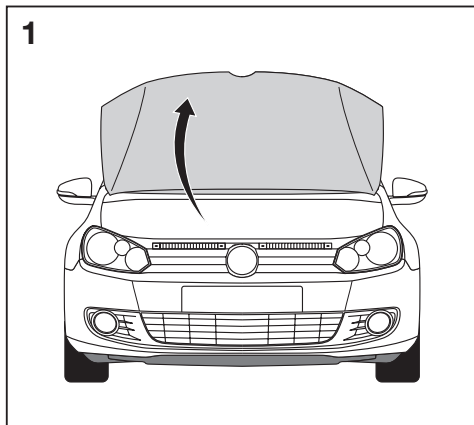
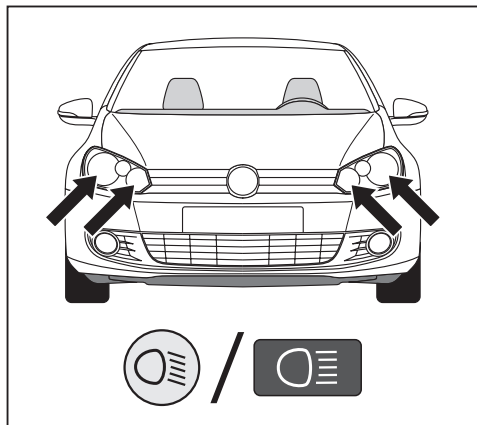
**5** YEAR  
OSRAM  
GUARANTEE\*

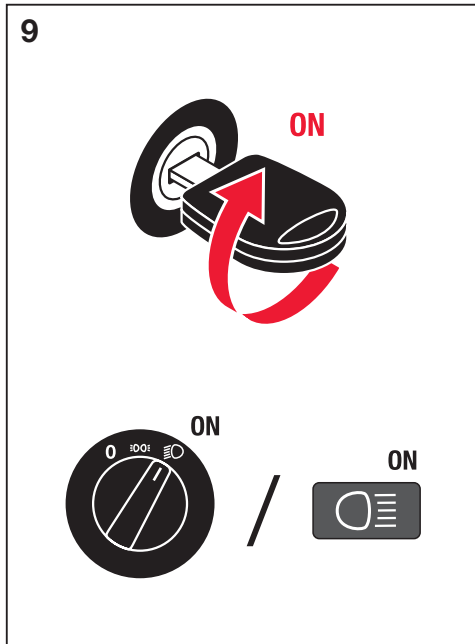
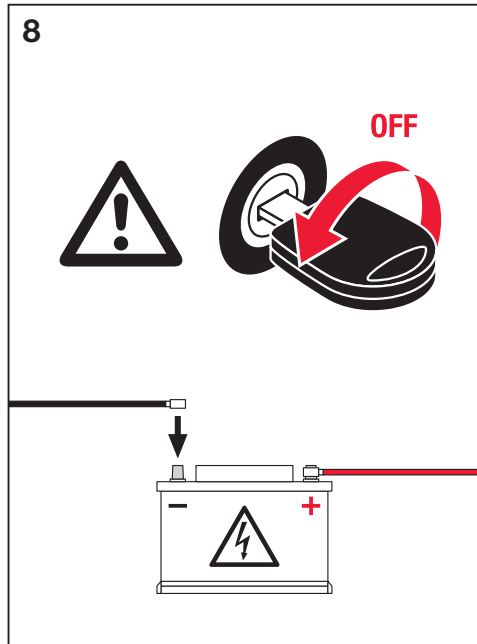
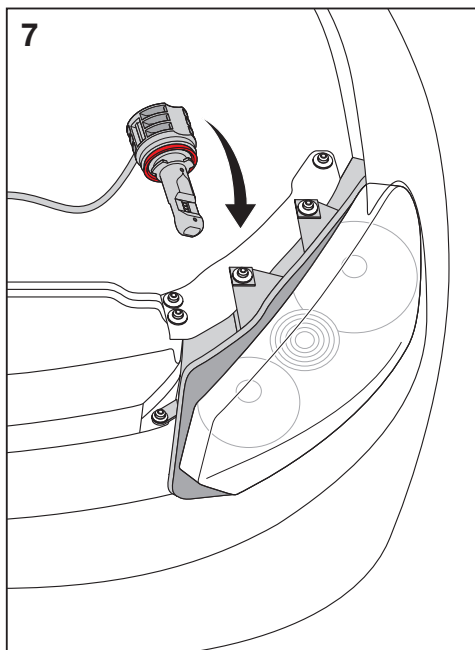
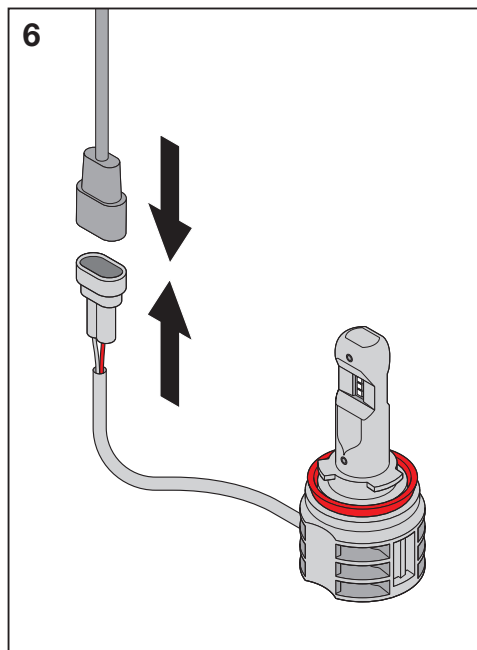


<http://qr.osram.info/usermanual>

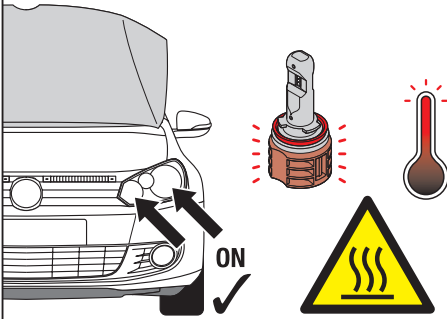
# OSRAM





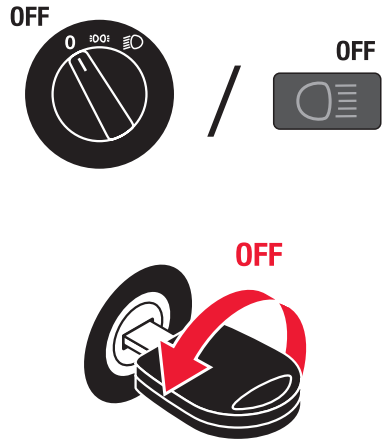


10

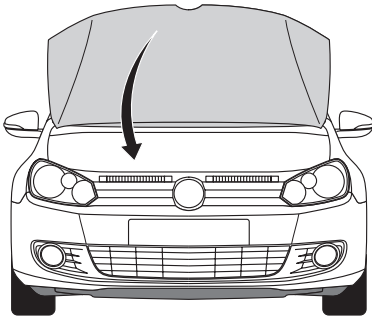


Do not stare at the operating light source.<sup>2)</sup>  
Caution! The cooling element on the back will heat when the headlamp is in operation.<sup>3)</sup>

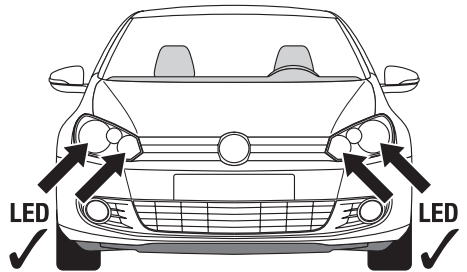
11



12



Please make sure that all parts are fixed properly to avoid interference with any moving part or function of the car.<sup>4)</sup>



The change of the headlamp requires the readjustment of the factory settings by a qualified workshop.<sup>5)</sup>