



FERVOR 220 LED driving light with parking light

TECHNICAL DATA / FEATURES

- dimensions: $\phi 220 \times 87$
- light function: driving, parking
- lamp function markings: HR, A
- maximum power: 27W, 3W
- nominal voltage: 12V-24V DC
- permissible power supply voltage: 10,5V-30V DC
- reference mark: 50, 25
- source of light: 6 x LED
- IP rating: IP67, IP69K
- work temperature: $-40^{\circ}\text{C} - +80^{\circ}\text{C}$
- housing's material: aluminium
- lens' material: glass
- built-in connectors: -
- other: protection:
 - against overheating
 - against reverse polarisation
- screws made of Inox steel



ADDITIONAL INFORMATION

Stylish and robust lamps dedicated for trucks.

LED technology used in driving and position light guarantees the highest efficiency. Two reference marks are available what allows to choose optimal light range.

The lamps comply with EMC Directive 2004/108/EC. They do not emit electromagnetic interference as well as they are resistant to it's influence.

Correct polarity required.

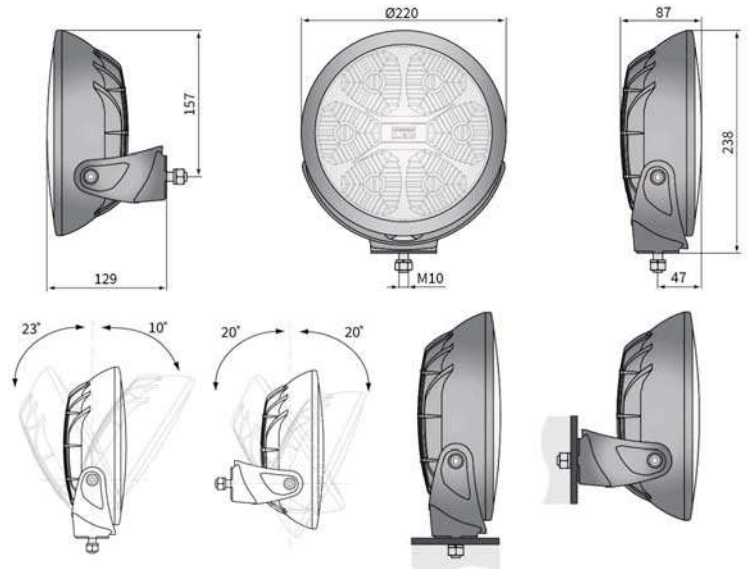
Mounting: as a freestanding or on vertical body work panels.

It is possible to install needed connectors on wire (on request).

Equivalents for Hella:

LUM1.50800 - 1F8 011 002-001

DIMENSIONS



Cat. number	Homologation code	Light function	Reference mark	IP rating	Accessories	Connectors	AMP Faston 250	AMP Superseal 1,5	Deutsch DT	Mounting	bracket	rear
LUM1.50800	084	driving	50	25	LED module 12V-24V cable 0,5 m							
LUM1.50850	087	parking	25	25	LED module 12V-24V cable 0,5 m							

