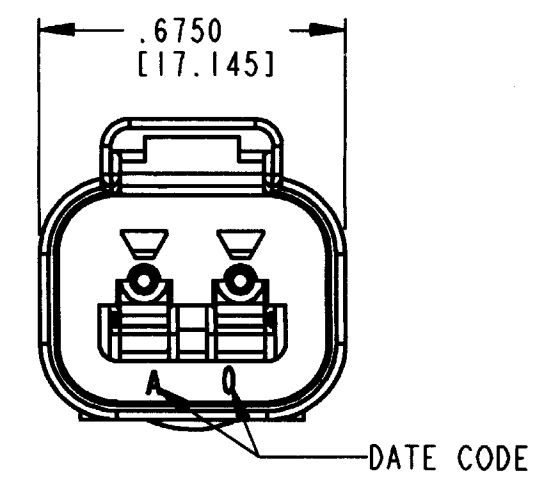
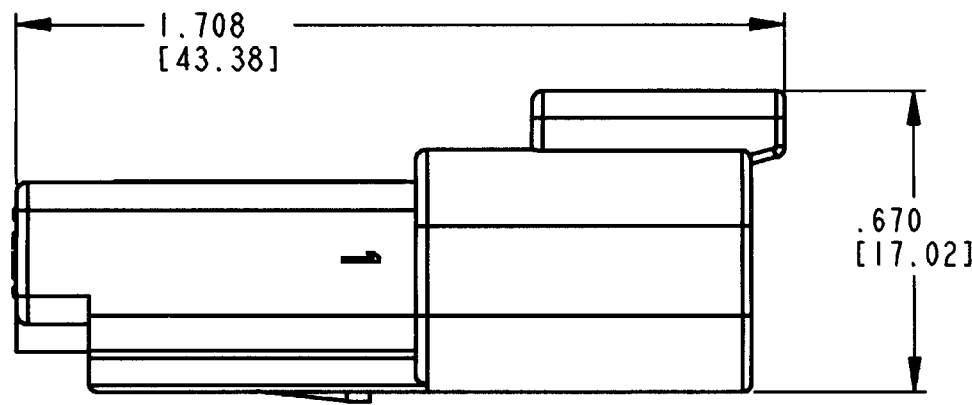
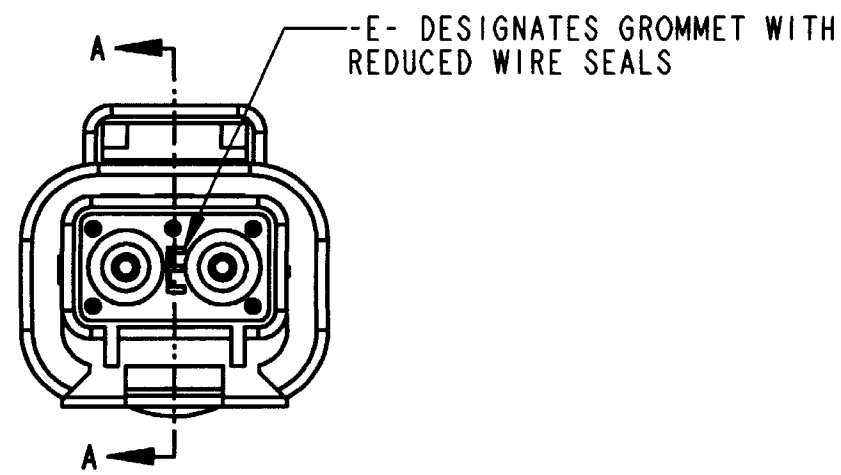


REV  
NC DT04-2P-C015

REVISIONS			
SYM	DESCRIPTION	DATE	APPROVED
NC	NEW RELEASE PER E.O. A16795	8-17-00	RDR

CONTACT SIZE	MIN. INSUL O.D.	MAX. INSUL O.D.	WIRE RANGE [mm <sup>2</sup> ]
16	.053 [1.35]	.120 [3.05]	14-20 AWG [2.0-0.5]



- NOTES:
1. DIMENSIONS ARE IN INCHES [ MILLIMETERS.
  2. DIMENSIONS ARE ± .025 [0.63] UNLESS OTHERWISE SPECIFIED.
  3. FOR CONTACTS AND WIRE PERFORMANCES AND APPLICATION CHARACTERISTICS. SEE ENVELOPE DRAWING 0425-015-0000 AND 0425-017-0000.
  4. THIS RECEPTACLE MATES WITH THE DT06-2S-\*\*\*\* PLUG (\*\*\*\* = ALL MODIFICATIONS). CONSULT FACTORY FOR MODIFICATIONS.

-DATE CODE-  
MONTH IS REPRESENTED BY SEQUENTIAL ALPHA CHARACTERS.  
EX. A = JANUARY  
YEAR IS REPRESENTED BY LAST DIGIT.  
EX. 0 = 2000

SIGNATURE & DATE	
DR	T. YOHANNES 08/07/00
CHK	P. Byford 8/17/00
PE	Tracy Green 8/17/00
APPD	A. Reed 8-17-00
SCALE	NONE WT

2 WAY RECEPTACLE  
REDUCED WIRE SEALS  
-C015 MOD.  
DT SERIES

ENVELOPE

CP	MATL CODE
<b>The Deutch Company</b> DEUTSCH I.P.D. 3850 INDUSTRIAL AVE. HEMET, CALIF. 92545	
<b>B</b>	<b>DT04-2P-C015</b>
DWG SIZE	CODE SHEET   OF