



TECHNICAL DATA / FEATURES

- dimensions: φ150/142x86
- light functions: passing, driving, parking
- function markings: C/R, A, HC/R
- traffic: right-hand
- reference mark: 7.5, 12.5
- source of light: R2, T4W, H4
- maximum power: 55/50W, 4W, 75/70W
- nominal voltage: 12V-24V DC
- optics: standard
- IP rating: -
- housing's material: metal
- lens' material: glass
- built-in connectors: -
- other (optional): metal frame



ADDITIONAL INFORMATION

Designed as replacement headlamp for Ursus headlight; series 0217, 0219.

Useful parts while installing:

- main bulb gasket - cat. No. A.05820
- parking light bulb holder - cat. No. A.05921
- main bulb mounting block - cat. No. A.07128

Dedicated application:

A - tractors:

- Ursus: C-300, C-4000
- Zetor: 2011, 3011, 3511, 4011, 6711
- Pronar Zubron 2032A

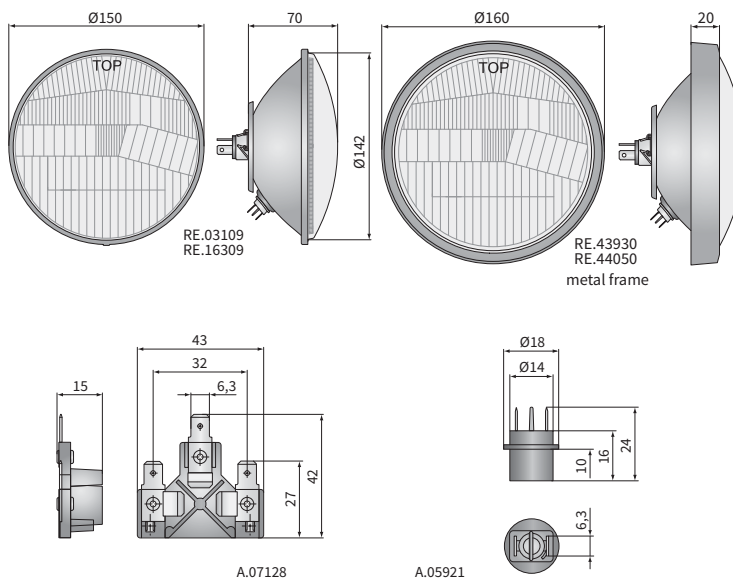
A - electric vehicle Melex 252

- Ursus type headlights,
- WSK motorcycles

B - for headlamps series 0217, 0219 in metal housing

Ursus type

DIMENSIONS



| Cat. number | Homologation code | Light functions | | | Type | Reference mark | | Accessories | metal frame | Mounting method | | | Application | Packaging / pc | |
|-----------------|-------------------|-----------------|---------|---------|------|----------------|----|-------------|-------------|-----------------|------|--------------|-------------|----------------|-------------------------|
| | | passing | driving | parking | | R2 | H4 | | | 7,5 | 12,5 | side - right | | side - left | installed vertically up |
| RE.03109 | 032 | ✓ | ✓ | ✓ | ✓ | | ✓ | | | | | | A | 1 | |
| RE.16309 | 212 | ✓ | ✓ | ✓ | | ✓ | | | | | | | A | 1 | |
| RE.44040 | 032 | ✓ | ✓ | ✓ | ✓ | | ✓ | ✓ | | ✓ | | | B | 1 | |
| RE.44030 | 032 | ✓ | ✓ | ✓ | ✓ | | ✓ | ✓ | | | ✓ | | B | 1 | |
| RE.44050 | 032 | ✓ | ✓ | ✓ | ✓ | | ✓ | ✓ | | | ✓ | | B | 1 | |
| RE.43930 | 212 | ✓ | ✓ | ✓ | | ✓ | ✓ | ✓ | | | ✓ | | B | 1 | |