



TECHNICAL DATA / FEATURES

- CAR1 series bracket - clamp connector made of plastic
- female clamp connector
- bracket and screws made of Inox steel
- for shaft diameter $\phi 24$ mm
- CAR2 series bracket - clamp connector made of plastic
- bracket and screws made of Inox steel
- for pipe diameter 15÷28 mm
- CAR3 series bracket - clamp made of aluminum alloy
- bracket and screws made of Inox steel
- for shaft $\phi 30$ mm (DIN 14640)
- CAR4 series bracket - ferrite and neodymium magnets
- in set: washers, nuts and bolts



ADDITIONAL INFORMATION

They help to install work lamps in untypical and hard-to-reach areas on the vehicle.

For heavy work lamps, it is recommended to use magnetic holder with 2 magnets.

Equivalents for Hella:

CAR1.47300 - 8HG 990 320-001

CAR2.49100 - 8HG 990 263-111

CAR4.51301 - 8HG 004 806-001

Dedicated application:

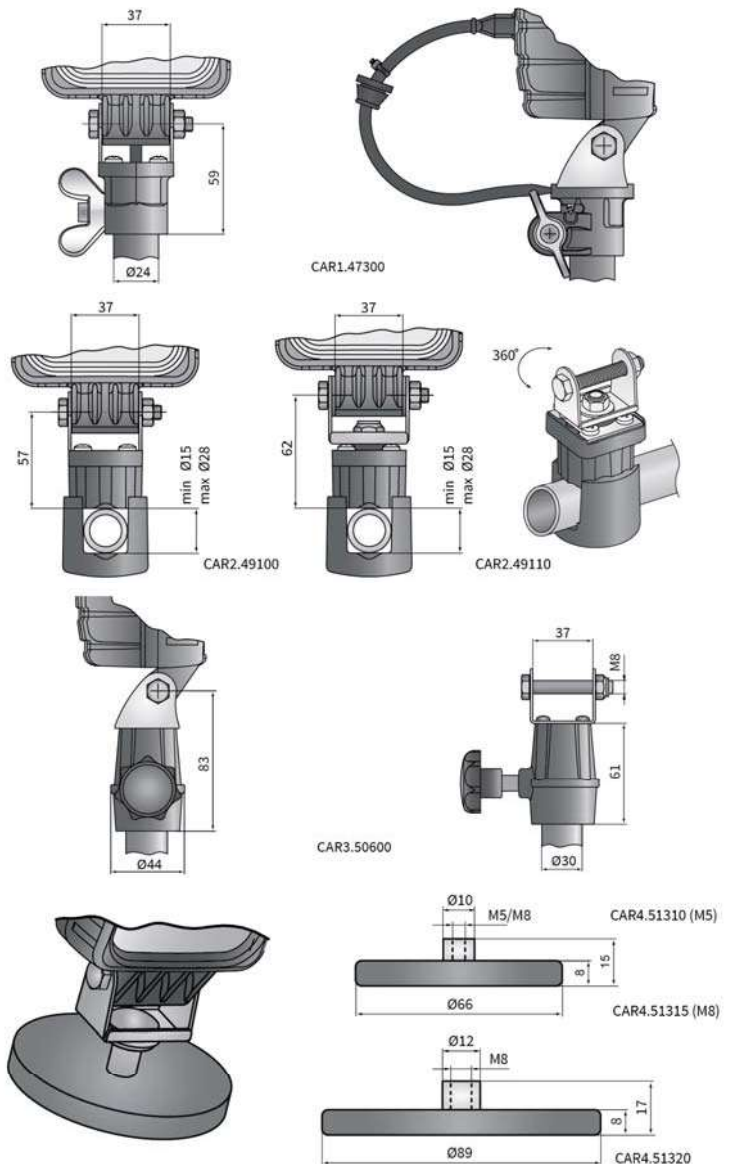
A - work lamps of LED serie

B - work lamps

C - tractors Case: IH, CS, CVX, JX, MAGNUM, MX, MXM

D - work lamps for fire-fighting vehicles

DIMENSIONS



Cat. number	Type	on the pipe	on the shank	ferrite magnet	neodymium magnet	Diameter			Lift capacity			Accessories				Application	dedicated
						Ø66	Ø83	Ø89	230N	250N	500N	✓	✓	✓	✓		
CAR1.47300			✓														A
CAR1.47301			✓														A
CAR2.49100		✓															A/C
CAR2.49110		✓															A/D
CAR3.50600			✓														D
CAR4.51300				✓			✓				✓						A/B
CAR4.51301				✓			✓				✓						A/B
CAR4.51310				✓			✓				✓						A/B
CAR4.51315				✓			✓				✓						A/B
CAR4.51320				✓			✓				✓						A/B