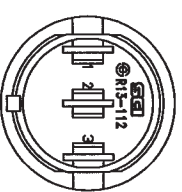
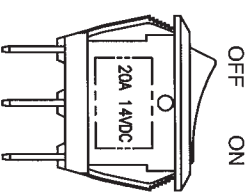
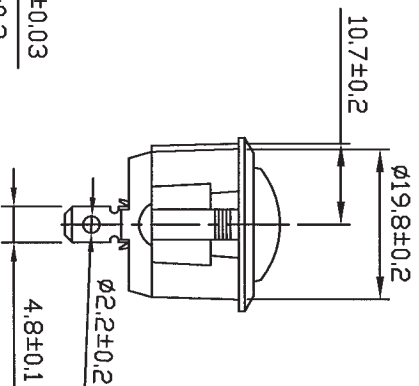
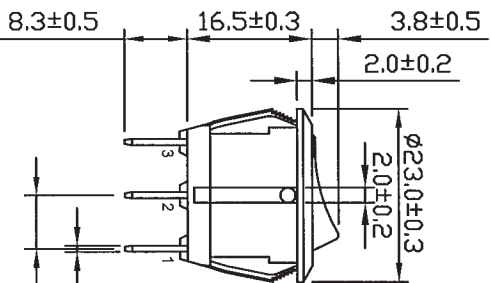
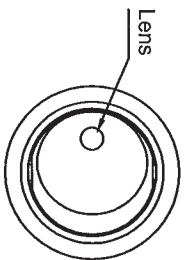


Rating	20A 14VDC	Mounting Hole	
Contact Resistance	50m ohm Max.		
Insulation Resistance	DC 500V 100M ohm Min.		
Dielectric Strength	AC 1500V 1 minute		
Operation Temperature	-25°C~85°C		
Switch Function	3P SPST ON-OFF (LED dependent)		

\*MATERIAL:  
Frame: Black, Nylon#66  
Actuator: Black, Nylon#66  
Lens: Green clear, PC  
Printed: None



C8/R13/R13-112B2-02(1821527)

Date	Name	Description		Model Name	ROCKER SWITCH	Rev.	0
Drawn	Checked	Approved	SCI BOM NO	1821527	Model No.	R13-112B2-02	
曹盈芳		<i>FA</i>	Customer No.				
04/15/14		<i>4/15/14</i>	Unit	mm	Shin Chin Industrial Co., Ltd.		