



TECHNICAL DATA / FEATURES

designed for lamps: HM2/LA2, HP5, HO3, HO2, HP1
 housing's material: plastic
 housing's colour: black

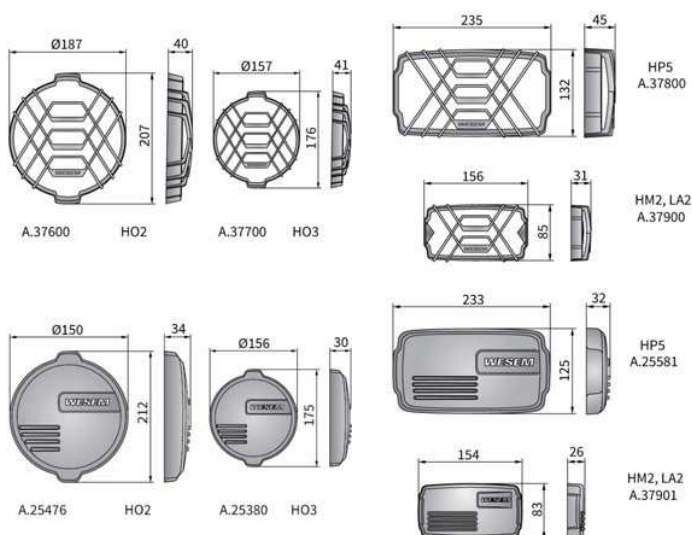


ADDITIONAL INFORMATION

Lamp covers and grills protect from accidental damage, extend durability and emphasize styling.

Mounting snaps help with easy installation and removal.

DIMENSIONS



Cat. number	Application	dedicated	Type		Shape		Packaging / pc	
			cover	stone guard	rectangular	round	carton box	plastic bag
A.37901		HM2/LA2 lamp cover	✓		✓			1
A.25581		HP5 lamp cover	✓		✓		1	
A.25380		HO3 lamp cover	✓			✓	1	
A.25476		HO2 lamp cover	✓			✓	1	
A.37900		HM2/LA2 lamp grill		✓	✓			1
A.37800		HP5 lamp grill		✓	✓			1
A.37700		HO3 lamp grill		✓		✓		1
A.37600		HO2 lamp grill		✓		✓		1
A.08934		HP1 lamp grill		✓	✓			1