



TECHNICAL DATA / FEATURES

- dimensions: $\phi 139/131 \times 75$, $\phi 150/142 \times 77$
- light functions: passing, driving, parking
- function markings: C/R, A, HC/R
- traffic: right-hand
- reference mark: 12.5/7.5, 12.5/10
- source of light: H4, R2, W5W
- maximum power: 75/70W, 55/50W, 5W
- nominal voltage: 12V-24V DC
- optics: FF
- IP rating: IP54, IP66
- housing's material: plastic
- lens' material: glass
- built-in connectors: -
- other (optional): mounting plate
levelling system



ADDITIONAL INFORMATION

To be mounted in factory designed locations or in the front bumper recesses.

Approved to be used with H4 and R2 type bulbs.

IP66 rated for versions with hermetic main bulb holder.

Useful parts while installing:

- hermetic main bulb holder - cat. No. A.26925
- main bulb mounting block - cat. No. A.07128

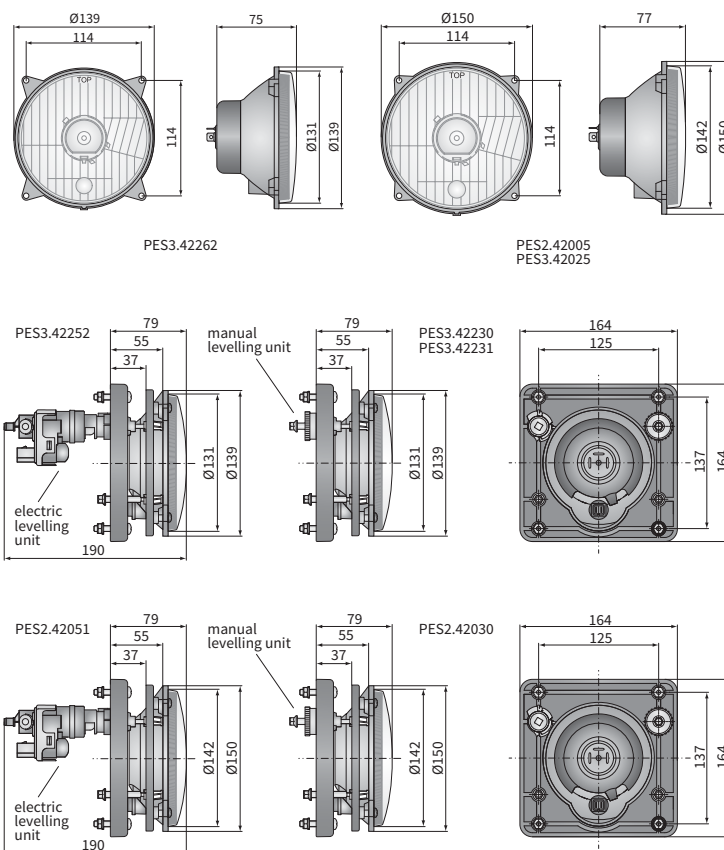
Replacement parts:

- main bulb gasket - cat. No. A.05820
- electric levelling unit $\phi 6$ long - cat. No. A.09050
- hermetic parking bulb holder - cat. No. A.26910

Dedicated application:

A - Pasagon light trucks (since 2011)

DIMENSIONS



Cat. number	Homologation code	Dimensions	Light functions	Accessories	Application
PES3.42230	051	$\phi 139/131 \times 75$	passing	bulb H4 12V	universal
PES3.42231	051	$\phi 150/142 \times 77$	driving	bulb W5W	dedicated
PES3.42234	051		parking	mounting plate-levelling unit	
PES3.42252	051			bulb gasket	
PES3.42262	051			bulb holder IP66	
PES2.42030	050			electric levelling unit	
PES2.42051	050			manual levelling unit	
PES2.42005	050			AMP SuperSeal connector	
PES2.42025	050				