

# CDC1, CDC2 fog lamps LED



## TECHNICAL DATA / FEATURES

- dimensions:  $\phi 80 \times 102$ ,  $\phi 84 \times 106$
- light function: fog light
- lamp function markings: F3
- maximum power: 9W
- nominal voltage: 12V-24V DC
- permissible power supply voltage: 10,5V-30V DC
- source of light: 3 x LED
- IP rating: IP67, IP69K, IP66
- work temperature:  $-40^{\circ}\text{C} - +80^{\circ}\text{C}$
- housing's material: aluminium/plastic
- lens' material: glass
- built-in connectors: AMP Faston 250, Deutsch DT
- other: protection:
  - against overheating
  - against reverse polarisation
- bracket made of Inox steel



## ADDITIONAL INFORMATION

Universal lamps dedicated for small recess (CDC1) or in places with limited space for installation (CDC2).

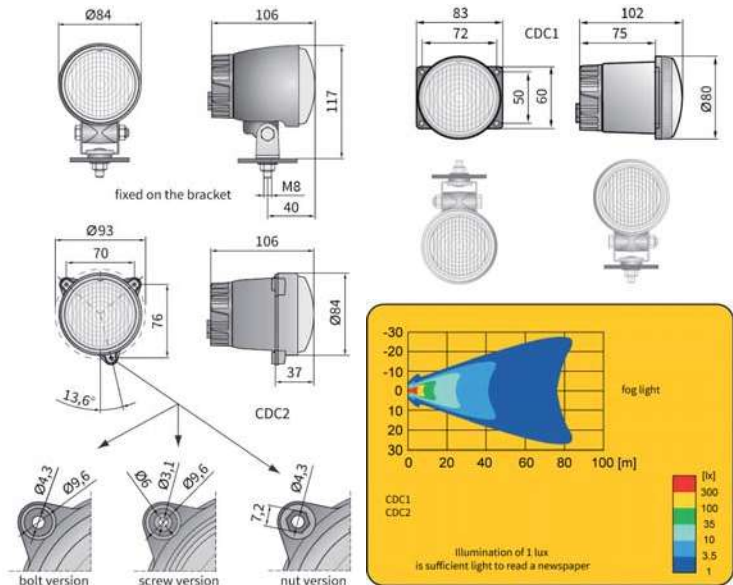
The lamps comply with EMC Directive 2004/108/EC. They do not emit electromagnetic interference as well as they are resistant to it's influence. Lamps approved according to UNECE Regulation No 19, revision 04, as a light of class F3. Correct polarity required.

Versions with the bracket can be installed on a vehicle in an upright or upside-down position.

It is possible to install needed connectors for a version with cable (on request).

- Useful parts while installing:
- AMP Faston 250 plug 2-pin - cat. No. A.07138
- AMP Superseal 1,5 plug 2-pin - cat. No. A.07137
- deutsch plug DT06-2S 2-pin - cat. No. A.07135

## DIMENSIONS



| Cat. number       | Homologation code | Diameter  | Type    | IP rating | Light function | Accessories        | Connectors        | Mounting         | Mounting method         | Side         |
|-------------------|-------------------|-----------|---------|-----------|----------------|--------------------|-------------------|------------------|-------------------------|--------------|
| <b>CDC1.47210</b> | 075               | $\phi 80$ | 3 x LED | IP67      | fog light      | LED module 12V-24V | AMP Faston 250    | bracket          | installed vertically up | right / left |
| CDC1.47211        | 075               | $\phi 84$ |         | IP69K     |                | cable 0,15 m       |                   | spoiler / recess | suspended               |              |
| <b>CDC1.47200</b> | 075               |           |         | IP66      |                | cable 0,5 m        | AMP Superseal 1,5 |                  | nuts                    |              |
| <b>CDC1.47220</b> | 075               |           |         |           |                |                    | Deutsch DT        |                  | bolts                   |              |
| <b>CDC2.48001</b> | 075               |           |         |           |                |                    | Cap / Pin         |                  |                         |              |
| CDC2.48002        | 075               |           |         |           |                |                    |                   |                  |                         |              |
| CDC2.48003        | 075               |           |         |           |                |                    |                   |                  |                         |              |
| <b>CDC2.48004</b> | 075               |           |         |           |                |                    |                   |                  |                         |              |
| CDC2.48005        | 075               |           |         |           |                |                    |                   |                  |                         |              |
| CDC2.48031        | 075               |           |         |           |                |                    |                   |                  |                         |              |
| CDC2.48032        | 075               |           |         |           |                |                    |                   |                  |                         |              |
| CDC2.48033        | 075               |           |         |           |                |                    |                   |                  |                         |              |
| CDC2.48034        | 075               |           |         |           |                |                    |                   |                  |                         |              |