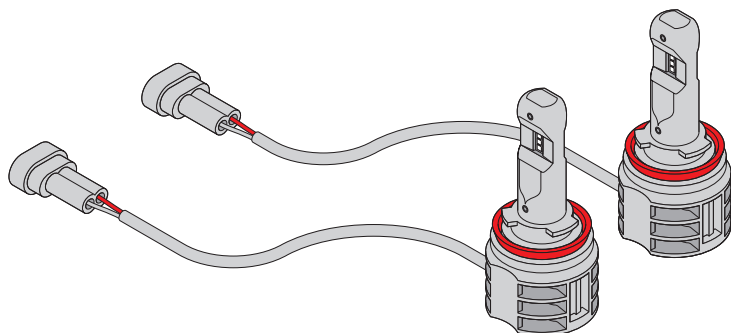


LEDDriving® HL

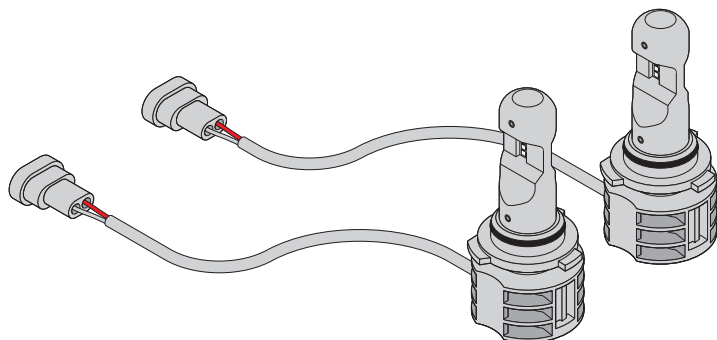
LED high and low beam

12V/24V 67211CW

12V/24V 9736CW



67211CW
≅H11



9736CW
≅HB4

Installation video: ¹⁾

67211CW

9736CW

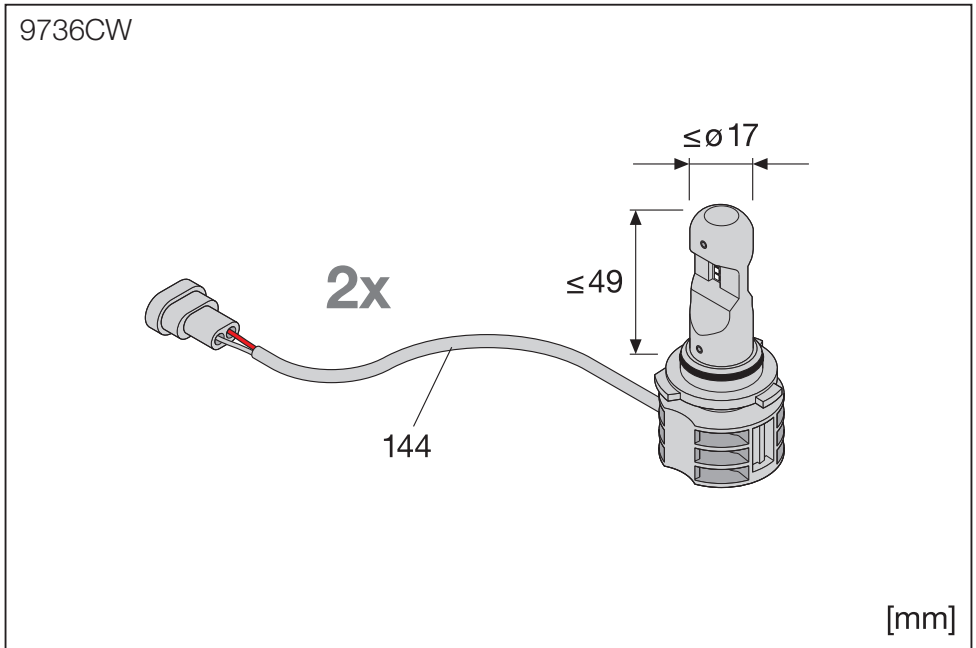
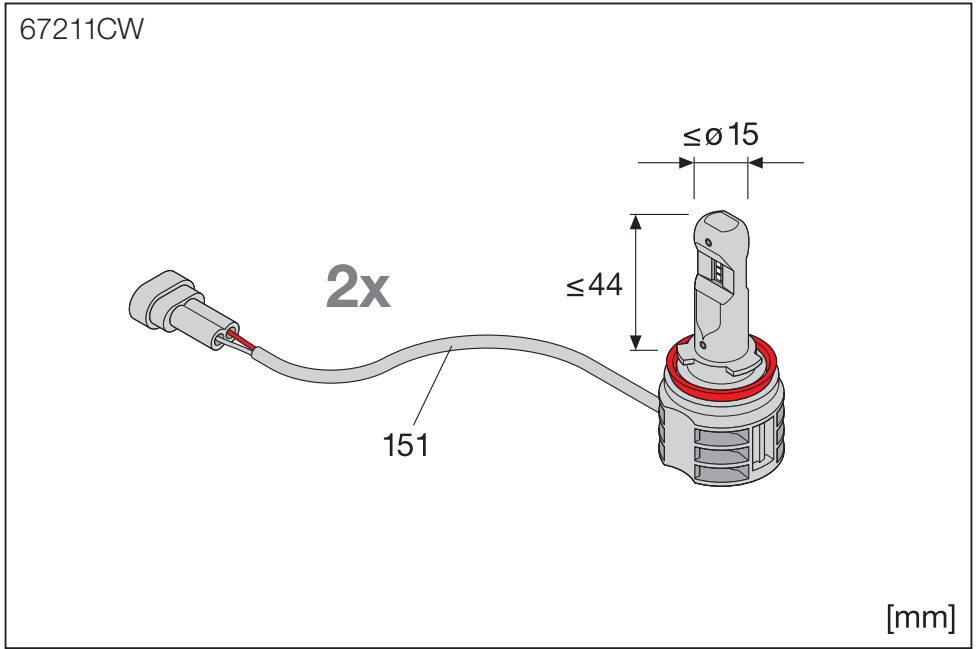


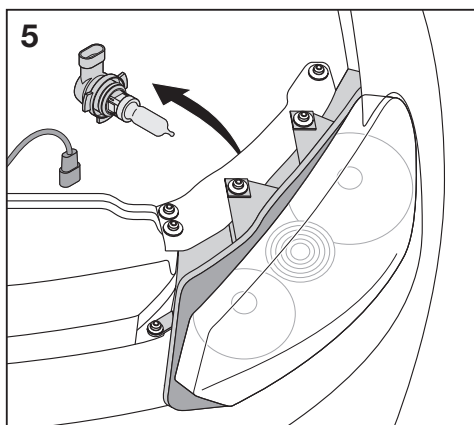
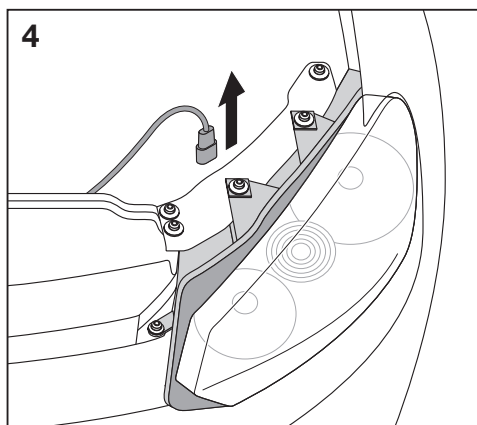
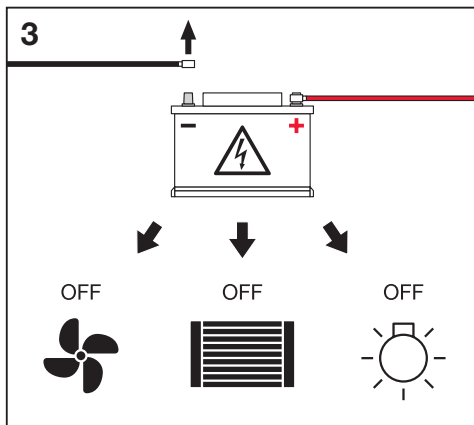
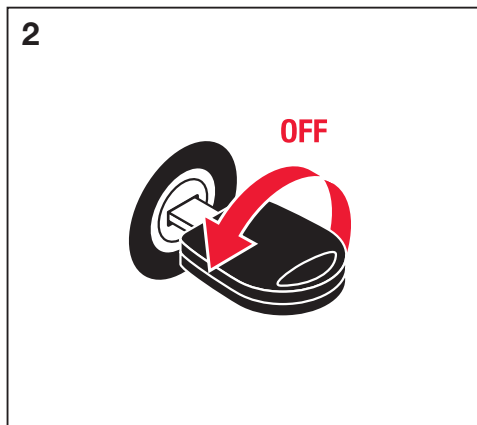
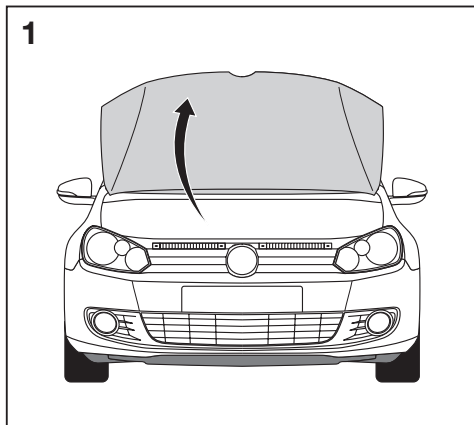
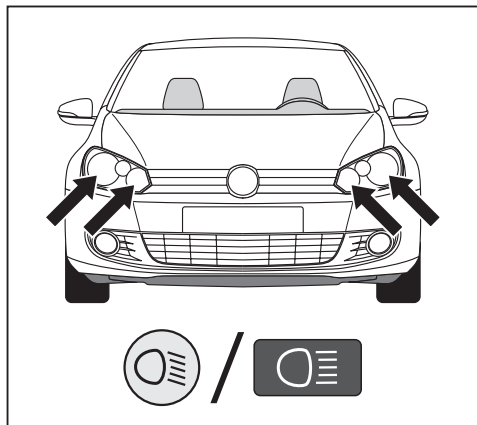
5 YEAR
OSRAM
GUARANTEE*

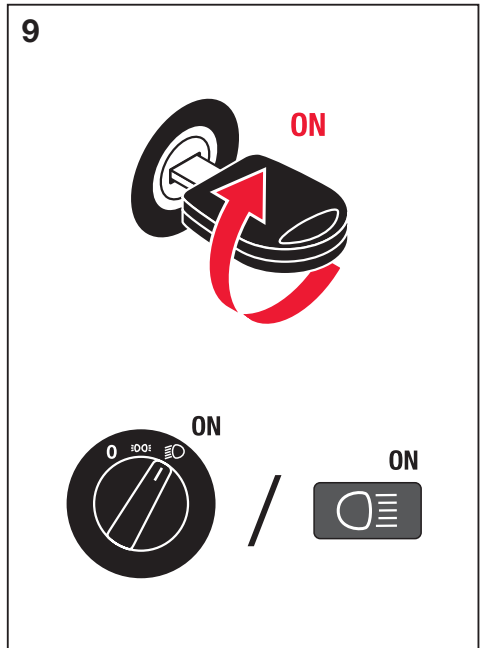
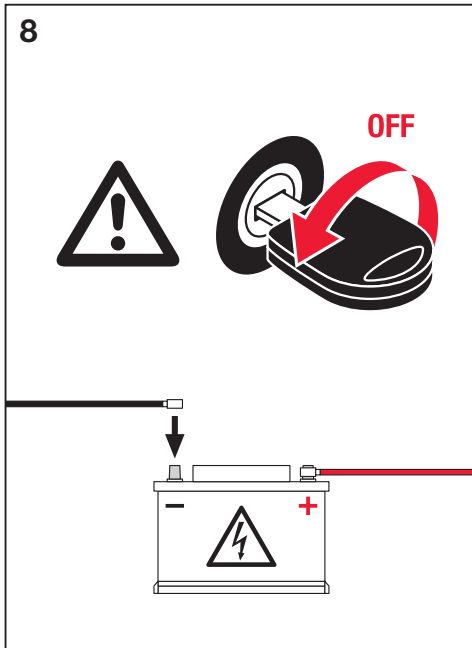
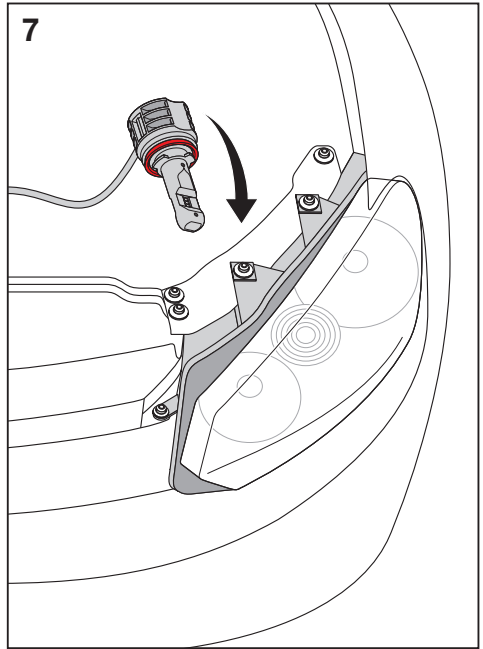
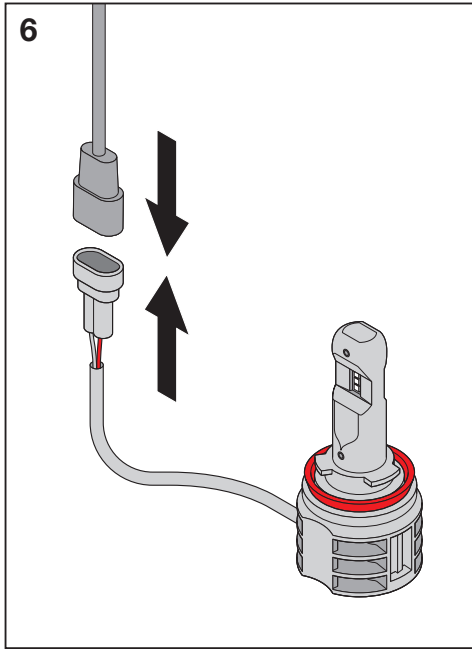


<http://qr.osram.info/usermanual>

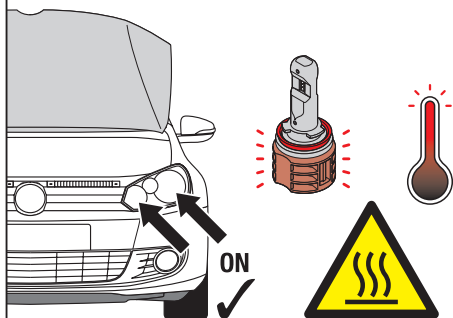
OSRAM





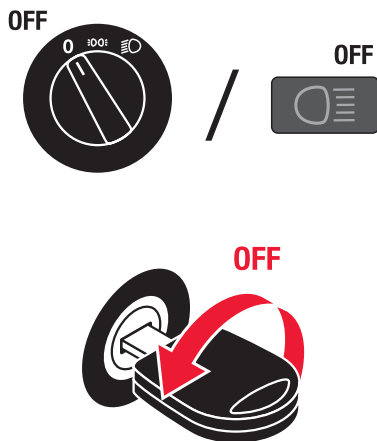


10

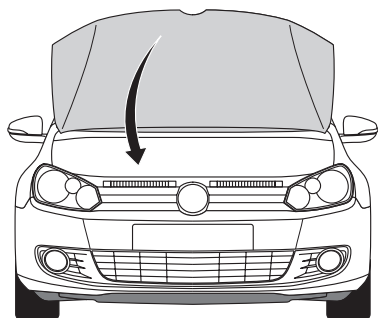


Do not stare at the operating light source.²⁾
Caution! The cooling element on the back will heat when the headlamp is in operation.³⁾

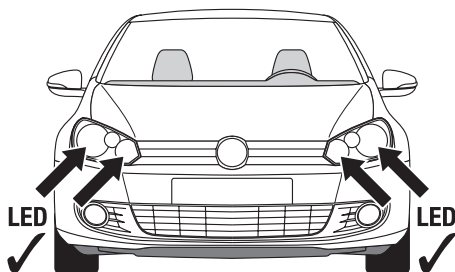
11



12



Please make sure that all parts are fixed properly to avoid interference with any moving part or function of the car.⁴⁾



The change of the headlamp requires the readjustment of the factory settings by a qualified workshop.⁵⁾